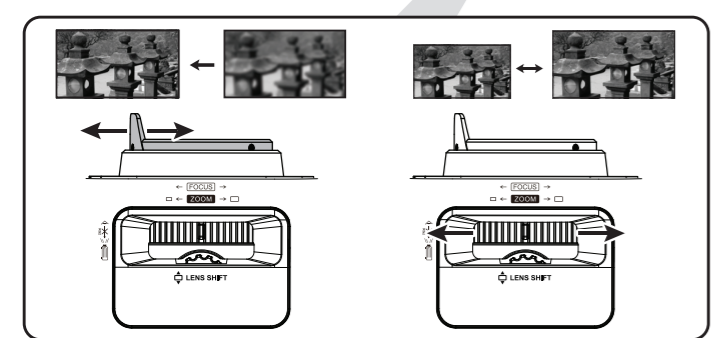
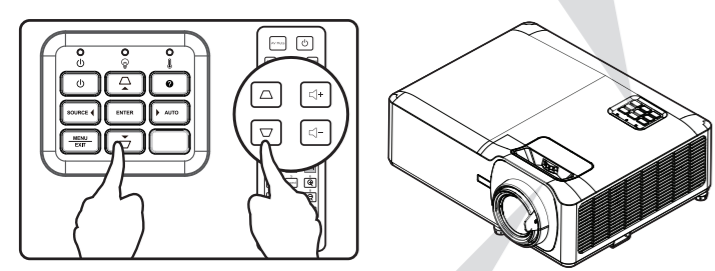
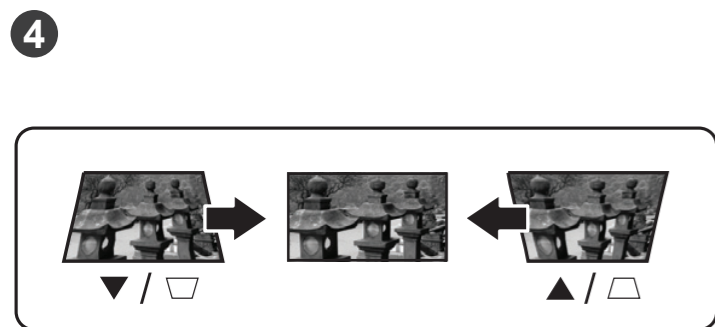
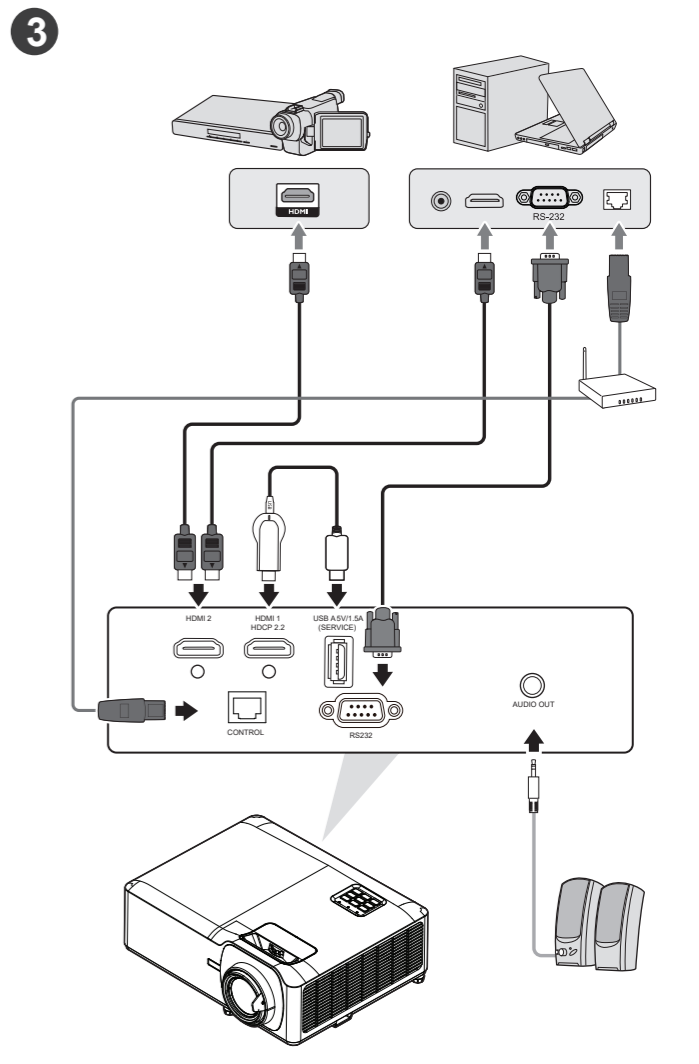
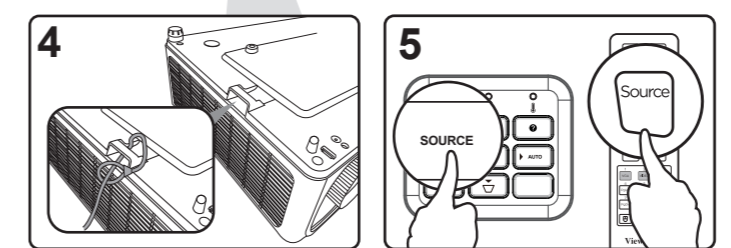
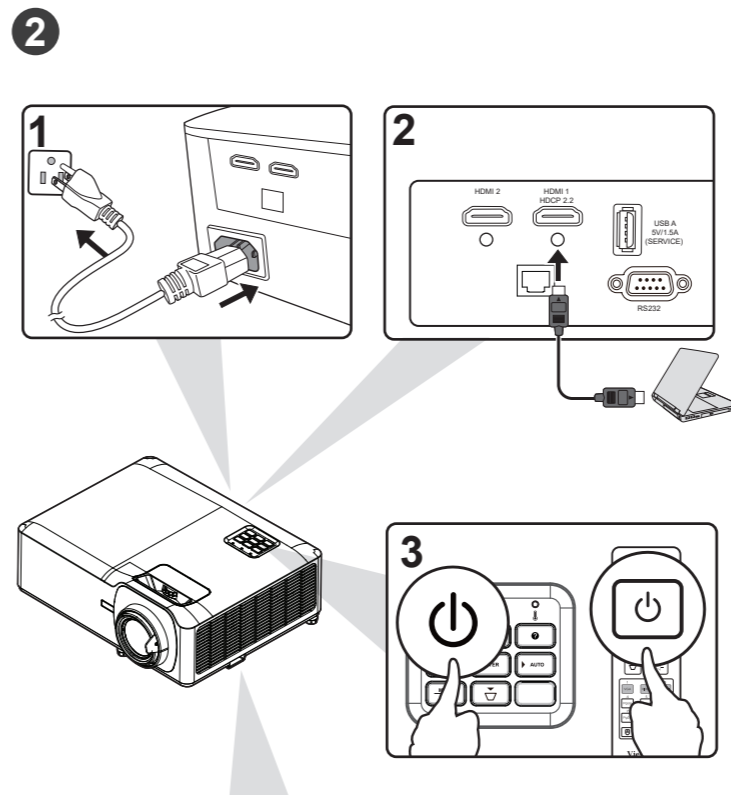
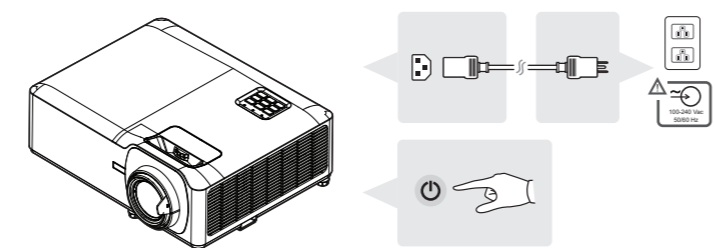
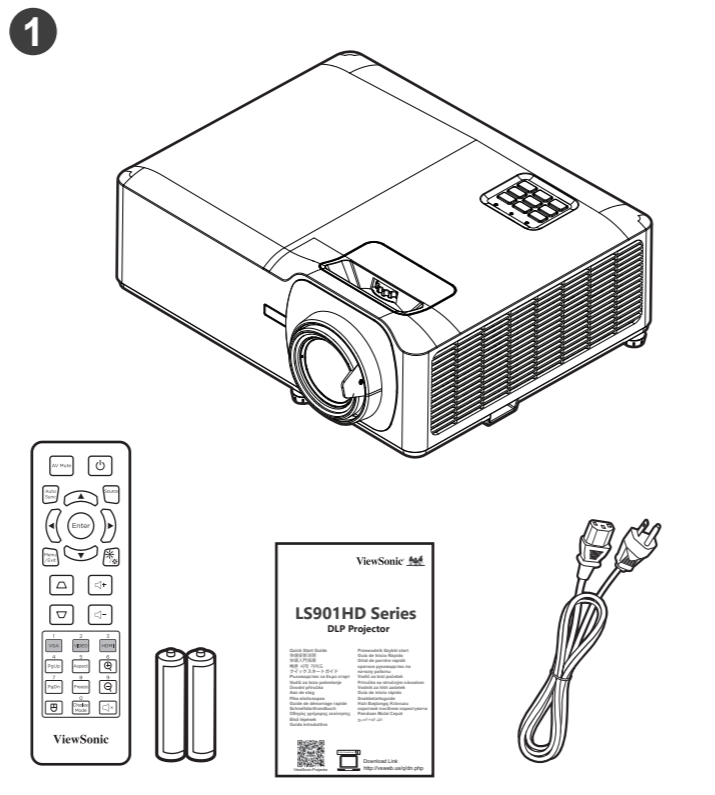


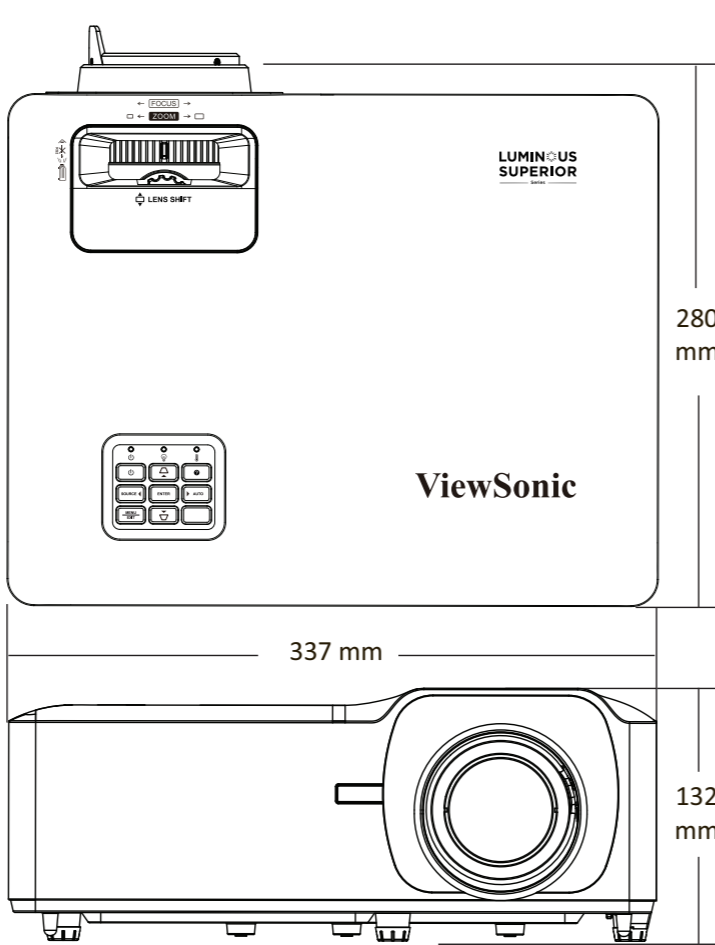
LS901HD Series DLP Projector

Quick Start Guide
快速安装说明
快速入門指南
빠른 시작 가이드
クイックスタートガイド
Ръководство за бърз старт
Vodič za brzo pokretanje
Úvodní příručka
Aan de slag
Pika-aloitusopas
Guide de démarrage rapide
Schnellstarthandbuch
Οδηγός γρήγορης εκκίνησης
Első lépések
Guida introduttiva

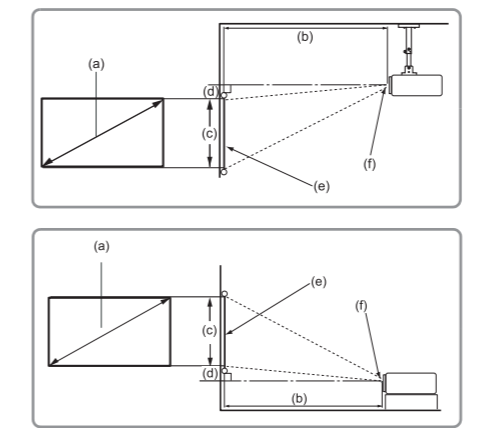
Przewodnik Szybki start
Guia de Inicio Rápido
Ghid de pornire rapidă
краткое руководство по началу работы
Vodič za brzi početak
Priručka so stručným návodom
Vodnik za hitri začetek
Guia de inicio rápido
Snabbstartsguide
Hızlı Başlangıç Kılavuzu
короткий посібник користувача
Panduan Mulai Cepat
دليل البدء السريع



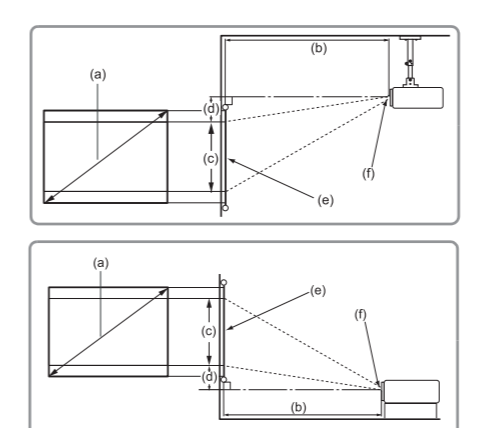
5 Mounting Screw: M4 x 10 (Max. L=10 mm)
Unit: mm



6 •16:9 image on a 16:9 screen



•16:9 image on a 4:3 screen



(e) = Screen
(f) = Center of Lens

(a) Screen Size	16:9 Image on a 16:9 Screen										
	(b) Projection distance				(c) Image height		(d) Vertical offset				
	min.	max.	min.	max.	min.	max.	min.	max.	min.	max.	
30	762	31.38	797	53.35	1355	14.71	374	0.88	22	3.97	101
40	1016	41.85	1063	71.10	1806	19.61	498	1.18	30	5.30	135
50	1270	52.28	1328	88.90	2258	24.51	623	1.47	37	6.62	168
60	1524	62.76	1594	106.69	2710	29.42	747	1.76	45	7.94	202
70	1778	73.23	1860	124.45	3161	34.32	872	2.06	52	9.27	235
80	2032	83.66	2125	142.24	3613	39.22	996	2.35	60	10.59	269
90	2286	94.13	2391	160.04	4065	44.12	1121	2.65	67	11.91	303
100	2540	104.61	2657	177.80	4516	49.03	1245	2.94	75	13.24	336
110	2794	115.04	2922	195.59	4968	53.93	1370	3.24	82	14.56	370
120	3048	125.51	3188	213.35	5419	58.83	1494	3.53	90	15.88	403
130	3302	135.98	3454	231.14	5871	63.73	1619	3.82	97	17.21	437
140	3556	146.42	3719	248.94	6323	68.64	1743	4.12	105	18.53	471
150	3810	156.89	3985	266.69	6774	73.54	1868	4.41	112	19.86	504
200	5080	209.17	5313	355.59	9032	98.05	2491	5.88	149	26.47	672
250	6350	261.46	6641	444.49	11290	122.57	3113	7.35	187	33.09	841
300	7620	313.78	7970	533.39	13548	147.08	3736	8.82	224	39.71	1009

(a) Screen Size	16:9 Image on a 4:3 Screen										
	(b) Projection distance				(c) Image height		(d) Vertical offset				
	min.	max.	min.	max.	min.	max.	min.	max.	min.	max.	
30	762	28.80	732	48.96	1244	13.50	343	0.81	21	3.65	93
40	1016	38.40	975	65.28	1658	18.00	457	1.08	27	4.86	123
50	1270	48.00	1219	81.60	2073	22.50	572	1.35	34	6.08	154
60	1524	57.60	1463	97.92	2487	27.00	686	1.62	41	7.29	185
70	1778	67.20	1707	114.24	2902	31.50	800	1.89	48	8.51	216
80	2032	76.80	1951	130.56	3316	36.00	914	2.16	55	9.72	247
90	2286	86.40	2195	146.88	3731	40.50	1029	2.43	62	10.94	278
100	2540	96.00	2438	163.20	4145	45.00	1143	2.70	69	12.15	309
110	2794	105.60	2682	179.52	4560	49.50	1257	2.97	75	13.37	339
120	3048	115.20	2926	195.84	4974	54.00	1372	3.24	82	14.58	370
130	3302	124.80	3170	212.16	5389	58.50	1486	3.51	89	15.80	401
140	3556	134.40	3414	228.48	5803	63.00	1600	3.78	96	17.01	432
150	3810	144.00	3658	244.80	6218	67.50	1715	4.05	103	18.23	463
200	5080	192.00	4877	326.40	8291	90.00	2286	5.40	137	24.30	617
250	6350	240.00	6096	408.00	10363	112.50	2858	6.75	171	30.38	772
300	7620	288.00	7315	489.60	12436	135.00	3429	8.10	206	36.45	926

It is recommended that if you intend to permanently install the projector, please physically test the projection size and distance using the actual projector in situ before you permanently install it.

